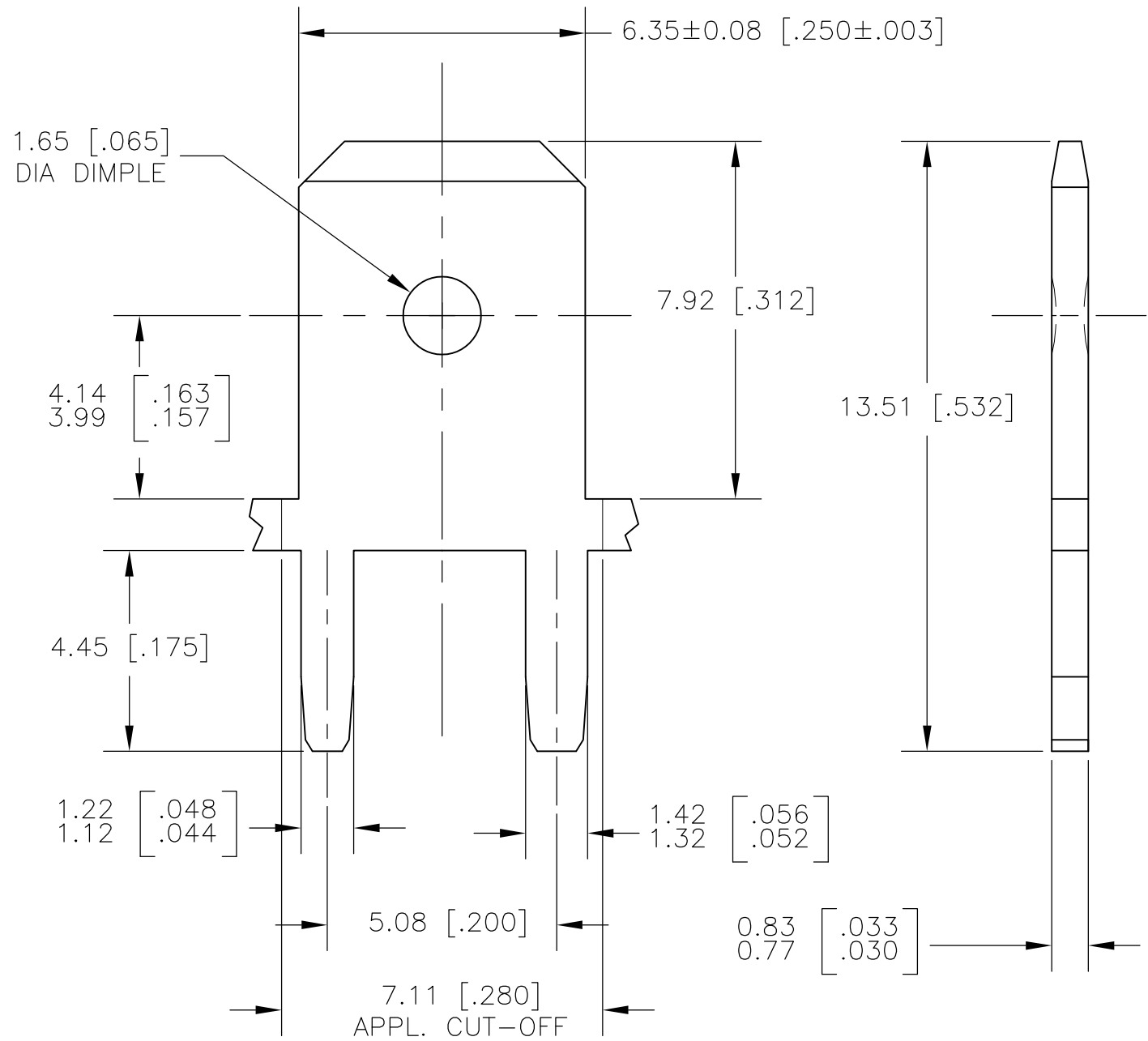
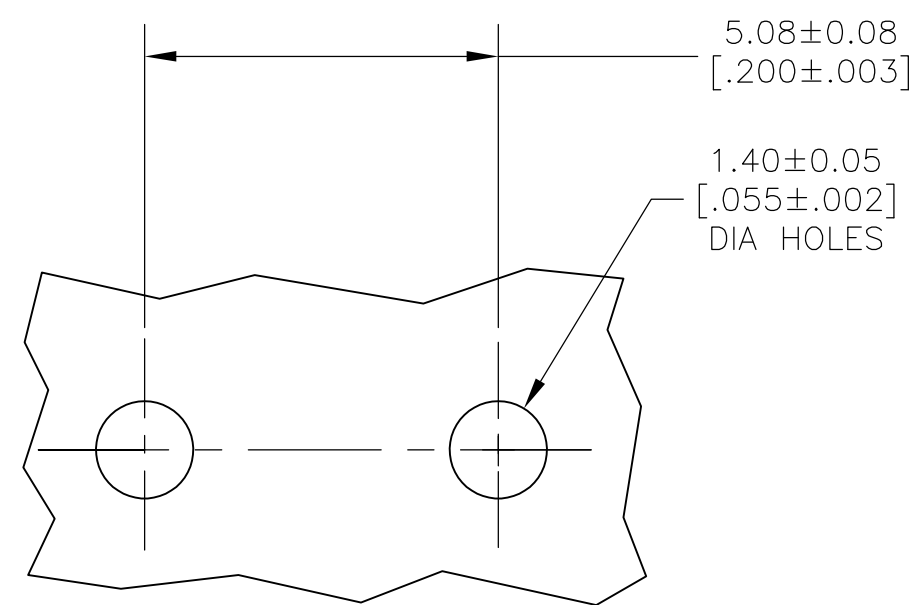


THIS DRAWING IS UNPUBLISHED. RELEASED FOR PUBLICATION - , -
 © COPYRIGHT - By - ALL RIGHTS RESERVED.

LOC	DIST	REVISIONS			
P	LTR	DESCRIPTION	DATE	DWN	APVD
AF	50	G	REVISED PER ECR-13-001204	21JUN13	KH PD



- 1 CONTINUOUS STRIP ON REELS.
- △ 0.00381 [.000150] MIN TIN OVER
0.00254 [.000100] MIN THK COPPER.



P.C. BOARD HOLES
SCALE 10:1

63650-1
PART NUMBER

THIS DRAWING IS A CONTROLLED DOCUMENT.		DWN	JR RUTH	15MAR01	 TE Connectivity	NAME				
DIMENSIONS: mm[INCHES]		CHK	MS FEHER	20MAR01		TAB, FASTON, PC BOARD, 6.35 [.250] SERIES				
TOLERANCES UNLESS OTHERWISE SPECIFIED:		APVD	N DEIBERT	20MAR01		PRODUCT SPEC				
0 PLC ± - 1 PLC ± - 2 PLC ± 0.38 [.015] 3 PLC ± - 4 PLC ± - ANGLES ± -		APPLICATION SPEC	114-2115			SIZE	CAGE CODE	DRAWING NO	RESTRICTED TO	
MATERIAL	BRASS	FINISH	TIN OVER COPPER △ 2		WEIGHT	A3 00779 C-63650		-		
CUSTOMER DRAWING					SCALE	8:1	SHEET	1 OF 1	REV	G